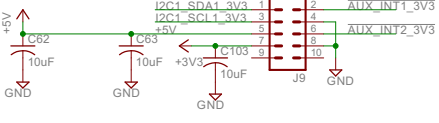
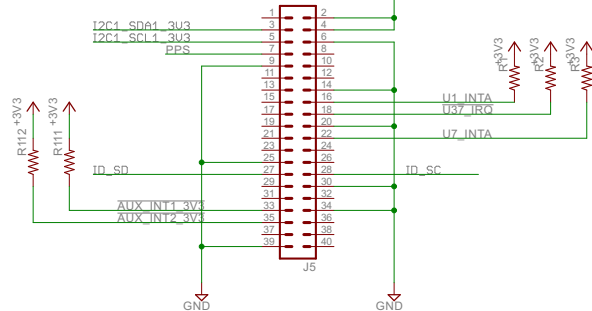


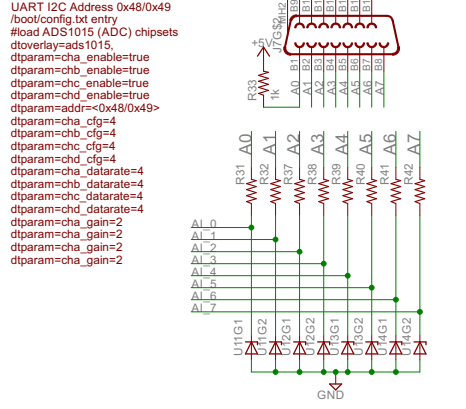
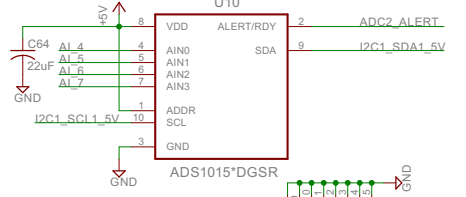
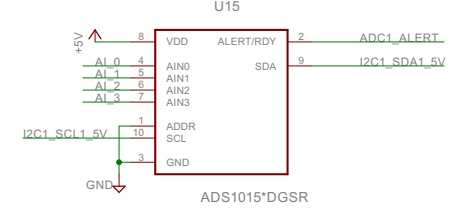
**I2C AUX interface**



The 5V from the base board is used to power the Raspberry Pi through the Header



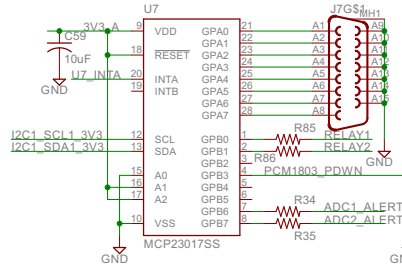
**12BIT ADC - 8 CHANNELS - 5V**



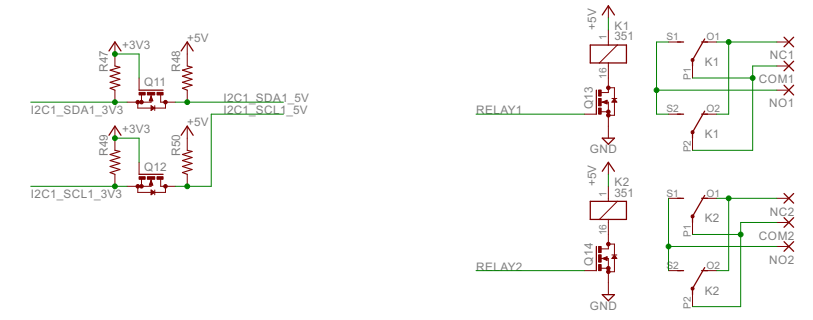
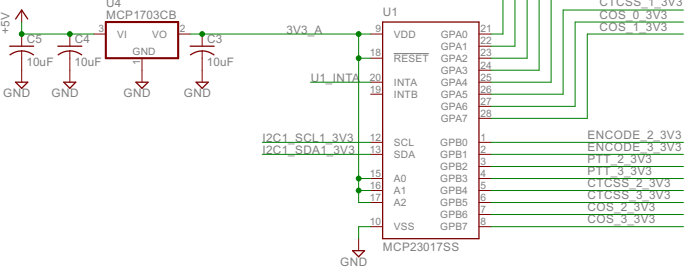
UART I2C Address 0x26/0x27  
 mcp23017,addr=0x27,gpiopin=23  
 mcp23017,addr=0x26,gpiopin=25

These need to be loaded as part of a controlled process outside of the Raspberry Pi /boot/config.txt device tree loader. The device tree loader allows a race condition that will cause them to load in a random order which causes then to change GPIO output addresses. This causes SVXLink to talk to the wrong pins intermittently.

**I2C Address 0x26**



**I2C Address 0x27**



I2C ADDR = 0x27 (U1-GPIO EXPANDER)  
 I2C ADDR = 0x26 (U7-GPIO EXPANDER)  
 I2C ADDR = 0x4D (U36-GPS)  
 I2C ADDR = 0x48 (U15-ADC0)  
 I2C ADDR = 0x49 (U10-ADC1)

TITLE: PI-REPEATER-4x_REV_03	
Document Number:	REV:
Date: not saved!	Sheet: 1/5